

PRODUCT DATASHEET

LED spot and downlight recess slim 225mm 22W 840 White

LED spot and downlight recess slim | Recess Slim Downlight with integrated Driver

Areas of application

- Living areas (living rooms, dining rooms, bedrooms etc.)



Product benefits

- Excellent price/performance ratio
- Through-wiring possible with included connector box
- Easy mounting

Product features

- Recessed ceiling mounting
- Color temperature: 4,000 K
- Through-wiring possible
- Type of protection: IP20



TECHNICAL DATA

Electrical data

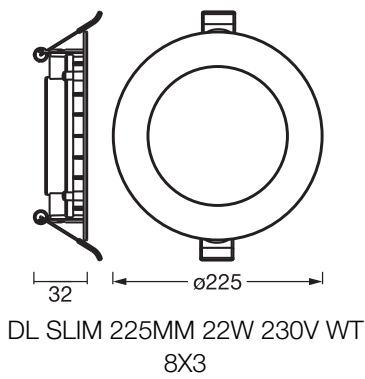
Nominal wattage	22.00 W
Nominal voltage	220...240 V
Mains frequency	50...60 Hz
Nominal current	150.000 mA
Power factor λ	> 0.7
Protection class	II
Operating mode	Mains voltage

Photometrical data

Luminous flux	2000 lm
Total luminous flux of contained light sources	2400 lm
Luminous efficacy	90 lm/W
Color temperature	4000 K
Light color (designation)	Cool White
Color rendering index Ra	> 80
Standard deviation of color matching	6 sdc _m
Flickering metric (Pst LM)	<1
Stroboscope effect metric (SVM)	<0.4
Beam angle	120 °

Dimensions & Weight

Diameter	225.00 mm
Height	32.00 mm
Product weight	316.00 g



Materials & Colors

Product color	White
Housing color	White
Body material	Polyamide
Cover material	Polystyrene (PS)
Glow Wire Test according to IEC 60695-2-12	650 °C

Application & Mounting

Ambient temperature range	-20...+40 °C
Temperature range at storage	-20...+80 °C
Type of connection	Terminal, 2-Pole (L, N)
Type of protection	IP20
Dimmable	No
Mounting type	Recessed
Mounting location	Ceiling
Application environment	Indoor
Mounting diameter	200 mm
Mounting depth	25 mm
With light source	Yes
Replaceable light source	No

Lifespan

Lifespan L70/B50 at 25 °C	25000 h ¹⁾
Number of switching cycles	50000

1) t[h]: L70 / B50 @ 25 °C (Ta), t[h]: L80 / B10 @ 25 °C (Ta), t[h]: L90 / B10 @ 25 °C (Ta)

Emergency lighting

Type of emergency operation test	None
----------------------------------	------

Certificates & Standards

Standards	CE / UKCA
Luminaire with limited surface temperature, "D sign"	No
Replaceable light source (EPREL)	Not replaceable




Additional product data

Product remark	Available from October 2025
----------------	-----------------------------

Safety advice

- Luminaire must be disconnected from mains during installation, maintenance and cover removal
- Check wall-ceiling for suitability. If uncertain, seek professional advice.
- All electrical connections must be made by a qualified person.
- Caution, risk of electric shock.

DOWNLOAD DATA

Documents and certificates		Document name
	User instruction / safety instructions	DL SLIM
	Declarations of conformity	CE Declaration Downlight Slim
	Declarations of conformity UKCA	UKCA Declaration Downlight Slim

LOGISTICAL DATA

Product code	Packaging unit (Pieces/Unit)	Dimensions (length x width x height)	Gross weight	Volume
4058075853911	Folding box 3	163 mm x 233 mm x 233 mm	1176.00 g	8.85 dm ³
4058075853928	Shipping box 24	486 mm x 341 mm x 492 mm	10345.00 g	81.54 dm ³

The mentioned product code describes the smallest quantity unit which can be ordered. One shipping unit can contain one or more single products. When placing an order, for the quantity please enter single or multiples of a shipping unit.

DISCLAIMER

Subject to change without notice. Errors and omission excepted. Always make sure to use the most recent release.