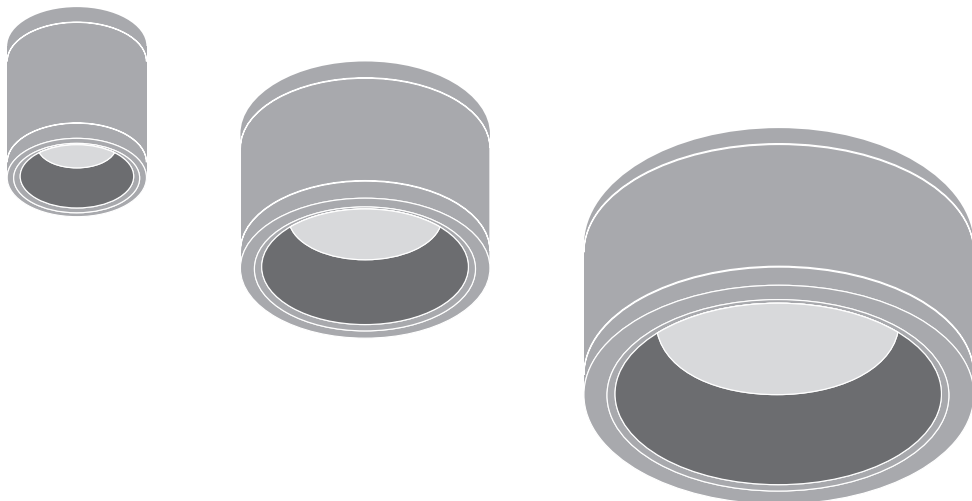
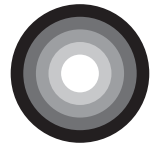




DOWNLIGHT SURFACE IP65

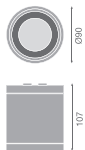
	EAN	Ø x h [mm]	W	VAC	Hz	lm	lm/W	K
DL SURFACE DN90 P 15W 830 36D IP65 WT	4058075768857	90 x 107	15	220-240	50/60	1575	105	3000
DL SURFACE DN90 P 15W 840 36D IP65 WT	4058075768871	90 x 107	15	220-240	50/60	1650	110	4000
DL SURFACE DN90 P 15W 830 36D IP65 BK	4058075768895	90 x 107	15	220-240	50/60	1575	105	3000
DL SURFACE DN90 P 15W 840 36D IP65 BK	4058075768918	90 x 107	15	220-240	50/60	1650	110	4000
DL SURFACE DN90 P 15W 830 60D IP65 WT	4058075768963	90 x 107	15	220-240	50/60	1575	105	3000
DL SURFACE DN90 P 15W 840 60D IP65 WT	4058075768987	90 x 107	15	220-240	50/60	1650	110	4000
DL SURFACE DN90 P 15W 830 60D IP65 BK	4058075769007	90 x 107	15	220-240	50/60	1575	105	3000
DL SURFACE DN90 P 15W 840 60D IP65 BK	4058075769021	90 x 107	15	220-240	50/60	1650	110	4000
DL SURFACE DN160 P30W 830 36D IP65 WT	4058075769045	160 x 110	30	220-240	50/60	3150	105	3000
DL SURFACE DN160 P30W 840 36D IP65 WT	4058075769076	160 x 110	30	220-240	50/60	3300	110	4000
DL SURFACE DN160 P30W 830 36D IP65 BK	4058075769090	160 x 110	30	220-240	50/60	3150	105	3000
DL SURFACE DN160 P30W 840 36D IP65 BK	4058075769113	160 x 110	30	220-240	50/60	3300	110	4000
DL SURFACE DN160 P30W 830 60D IP65 WT	4058075769137	160 x 110	30	220-240	50/60	3150	105	3000
DL SURFACE DN160 P30W 840 60D IP65 WT	4058075769151	160 x 110	30	220-240	50/60	3300	110	4000
DL SURFACE DN160 P30W 830 60D IP65 BK	4058075769175	160 x 110	30	220-240	50/60	3150	105	3000
DL SURFACE DN160 P30W 840 60D IP65 BK	4058075769199	160 x 110	30	220-240	50/60	3300	110	4000
DL SURFACE DN250 P45W 830 36D IP65 WT	4058075769212	250 x 125	45	220-240	50/60	4725	105	3000
DL SURFACE DN250 P45W 840 36D IP65 WT	4058075769236	250 x 125	45	220-240	50/60	4950	110	4000
DL SURFACE DN250 P45W 830 36D IP65 BK	4058075769250	250 x 125	45	220-240	50/60	4725	105	3000
DL SURFACE DN250 P45W 840 36D IP65 BK	4058075769274	250 x 125	45	220-240	50/60	4950	110	4000
DL SURFACE DN250 P45W 830 60D IP65 WT	4058075769298	250 x 125	45	220-240	50/60	4725	105	3000
DL SURFACE DN250 P45W 840 60D IP65 WT	4058075769335	250 x 125	45	220-240	50/60	4950	110	4000
DL SURFACE DN250 P45W 830 60D IP65 BK	4058075769359	250 x 125	45	220-240	50/60	4725	105	3000
DL SURFACE DN250 P45W 840 60D IP65 BK	4058075769397	250 x 125	45	220-240	50/60	4950	110	4000

DOWNLIGHT SURFACE IP65

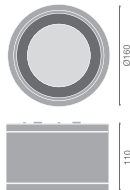


	EAN	IP	IK		R _a	°(°C)	PF	
DL SURFACE DN90 P 15W 830 36D IP65 WT	4058075768857	65	06	36°	>80	-30...+40	>0.9	0.6 kg
DL SURFACE DN90 P 15W 840 36D IP65 WT	4058075768871	65	06	36°	>80	-30...+40	>0.9	0.6 kg
DL SURFACE DN90 P 15W 830 36D IP65 BK	4058075768895	65	06	36°	>80	-30...+40	>0.9	0.6 kg
DL SURFACE DN90 P 15W 840 36D IP65 BK	4058075768918	65	06	36°	>80	-30...+40	>0.9	0.6 kg
DL SURFACE DN90 P 15W 830 60D IP65 WT	4058075768963	65	06	60°	>80	-30...+40	>0.9	0.6 kg
DL SURFACE DN90 P 15W 840 60D IP65 WT	4058075768987	65	06	60°	>80	-30...+40	>0.9	0.6 kg
DL SURFACE DN90 P 15W 830 60D IP65 BK	4058075769007	65	06	60°	>80	-30...+40	>0.9	0.6 kg
DL SURFACE DN90 P 15W 840 60D IP65 BK	4058075769021	65	06	60°	>80	-30...+40	>0.9	0.6 kg
DL SURFACE DN160 P30W 830 36D IP65 WT	4058075769045	65	06	36°	>80	-30...+40	>0.9	1.3 kg
DL SURFACE DN160 P30W 840 36D IP65 WT	4058075769076	65	06	36°	>80	-30...+40	>0.9	1.3 kg
DL SURFACE DN160 P30W 830 36D IP65 BK	4058075769090	65	06	36°	>80	-30...+40	>0.9	1.3 kg
DL SURFACE DN160 P30W 840 36D IP65 BK	4058075769113	65	06	36°	>80	-30...+40	>0.9	1.3 kg
DL SURFACE DN160 P30W 830 60D IP65 WT	4058075769137	65	06	60°	>80	-30...+40	>0.9	1.3 kg
DL SURFACE DN160 P30W 840 60D IP65 WT	4058075769151	65	06	60°	>80	-30...+40	>0.9	1.3 kg
DL SURFACE DN160 P30W 830 60D IP65 BK	4058075769175	65	06	60°	>80	-30...+40	>0.9	1.3 kg
DL SURFACE DN160 P30W 840 60D IP65 BK	4058075769199	65	06	60°	>80	-30...+40	>0.9	1.3 kg
DL SURFACE DN250 P45W 830 36D IP65 WT	4058075769212	65	06	36°	>80	-30...+40	>0.9	2.8 kg
DL SURFACE DN250 P45W 840 36D IP65 WT	4058075769236	65	06	36°	>80	-30...+40	>0.9	2.8 kg
DL SURFACE DN250 P45W 830 36D IP65 BK	4058075769250	65	06	36°	>80	-30...+40	>0.9	2.8 kg
DL SURFACE DN250 P45W 840 36D IP65 BK	4058075769274	65	06	36°	>80	-30...+40	>0.9	2.8 kg
DL SURFACE DN250 P45W 830 60D IP65 WT	4058075769298	65	06	60°	>80	-30...+40	>0.9	2.8 kg
DL SURFACE DN250 P45W 840 60D IP65 WT	4058075769335	65	06	60°	>80	-30...+40	>0.9	2.8 kg
DL SURFACE DN250 P45W 830 60D IP65 BK	4058075769359	65	06	60°	>80	-30...+40	>0.9	2.8 kg
DL SURFACE DN250 P45W 840 60D IP65 BK	4058075769397	65	06	60°	>80	-30...+40	>0.9	2.8 kg

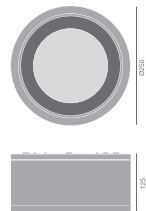
DL SURFACE 15W IP65

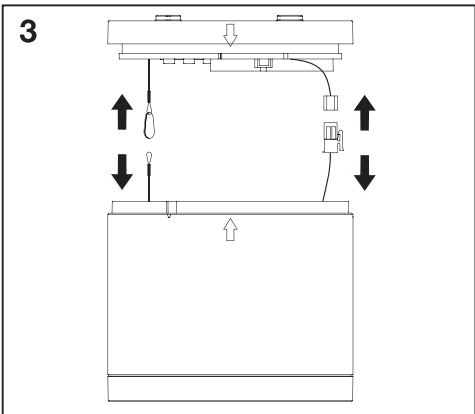
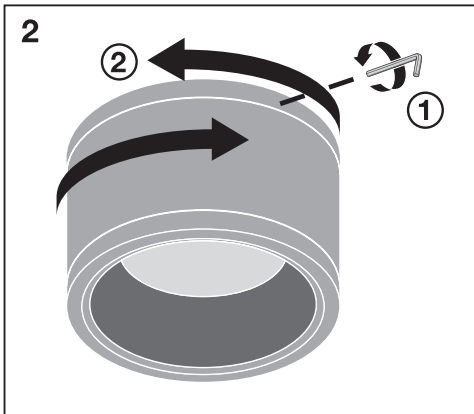
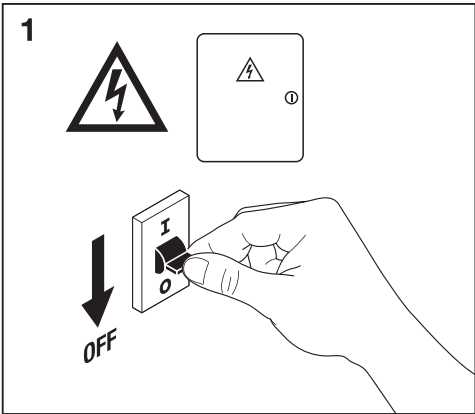
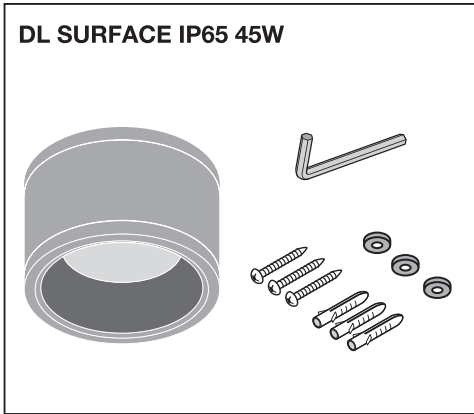
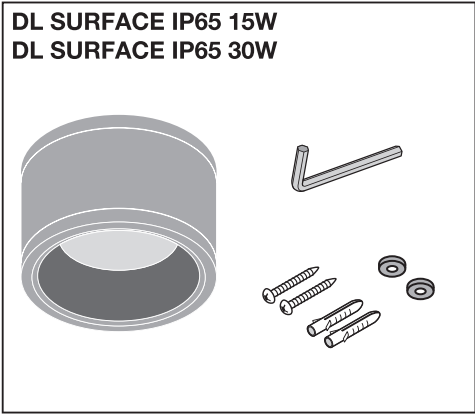
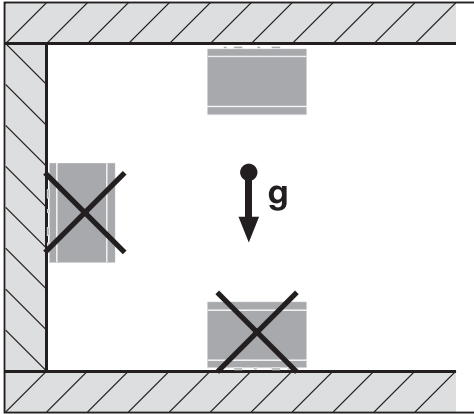


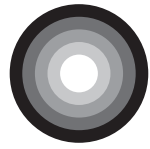
DL SURFACE 30W IP65



DL SURFACE 45W IP65

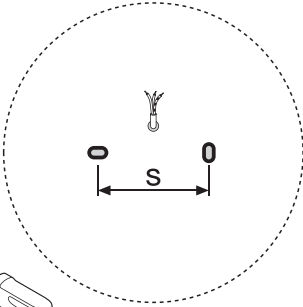






DL SURFACE IP65 15W/30W

4

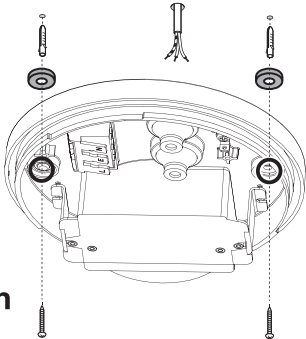


2x



	[mm]	s
DL SURFACE IP65 15W		60
DL SURFACE IP65 30W		120

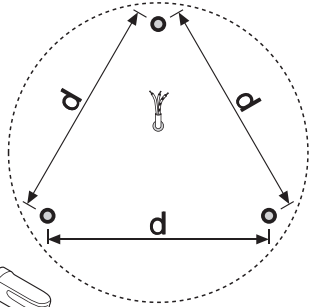
2x



1.2 Nm

DL SURFACE IP65 45W

4

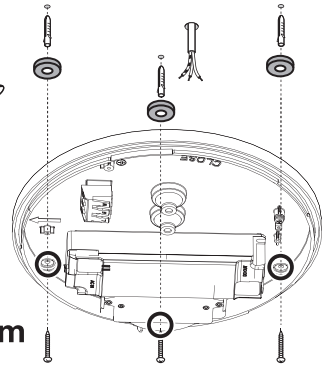


3x



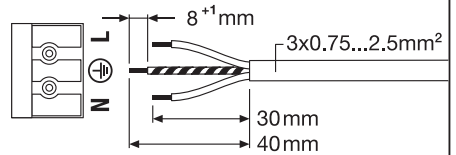
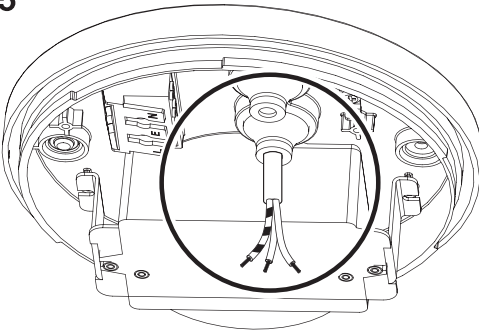
	[mm]	d
DL SURFACE IP65 45W		189

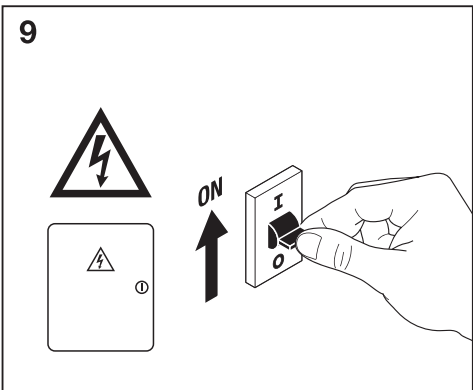
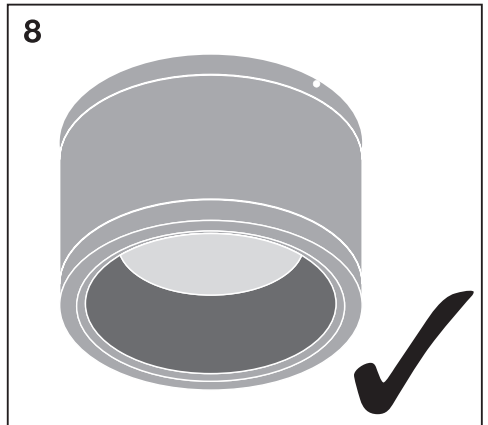
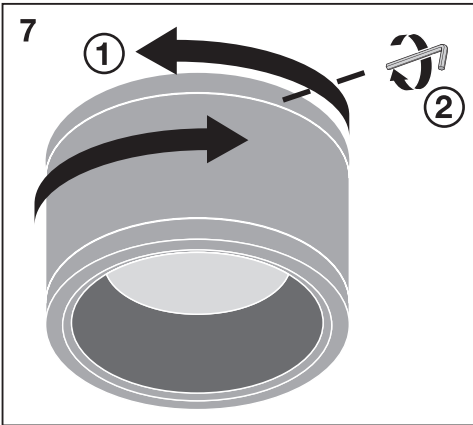
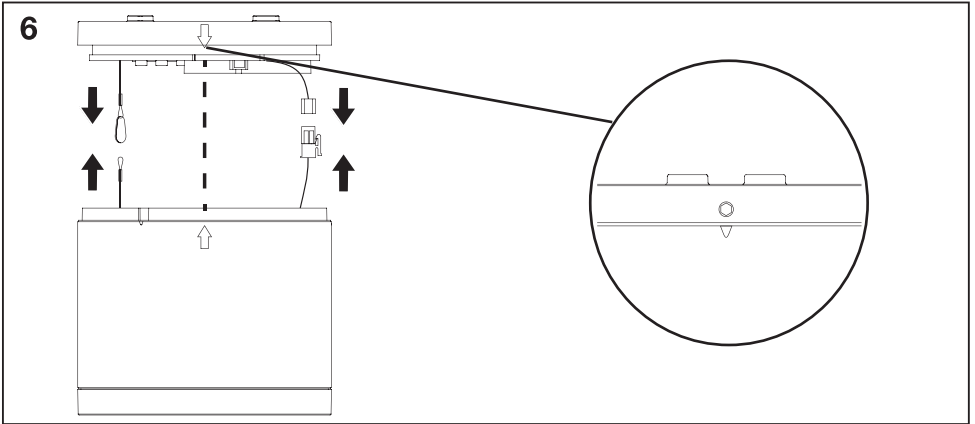
3x



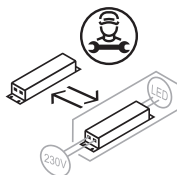
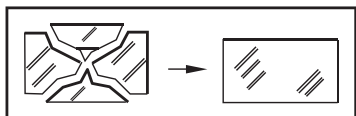
1.2 Nm

5





	Inrush current [A]	Th50 [μ s]	B10	B16	B32	C10	C16	C32
DL SURFACE 15W IP65	6.8	35	74	118	236	74	118	236
DL SURFACE 30W IP65	31	510	20	32	64	20	32	64
DL SURFACE 45W IP65	31	420	6	9	19	6	9	19



FR

Cet appareil, ses accessoires et son cordon, se recyclent

À DÉPOSER EN MAGASIN

À DÉPOSER EN DÉCHÈTERIE



OU



Points de collecte sur www.quefairedemesdechets.fr



C10449057
G11210032
07.01.25

LEDVANCE SASU
CQM, 5 rue d'Altorf
67120 Molsheim France
www.ledvance.com

© LEDVANCE Ltd, Sterling House, 810
Mandarin Court, Warrington, Cheshire,
WA1 1GG, United Kingdom